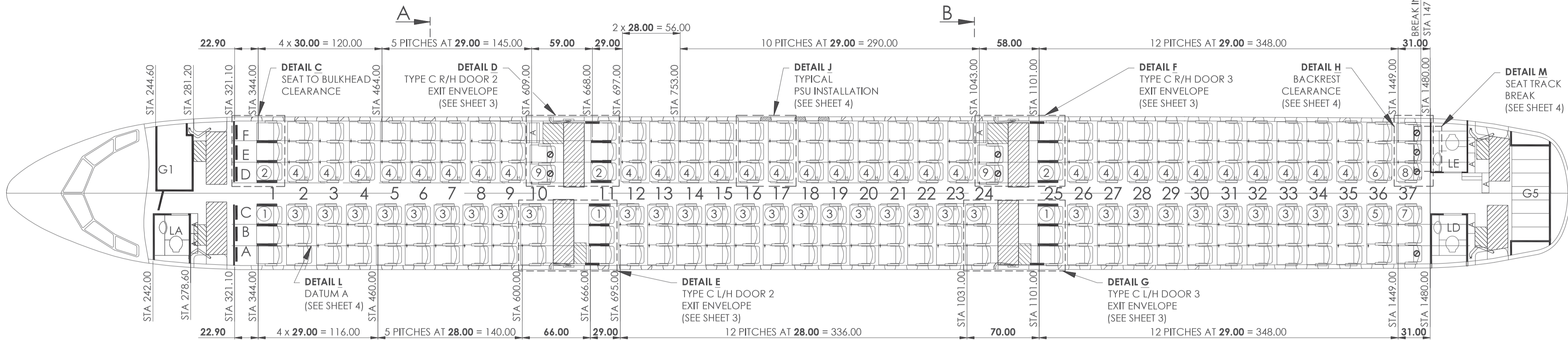


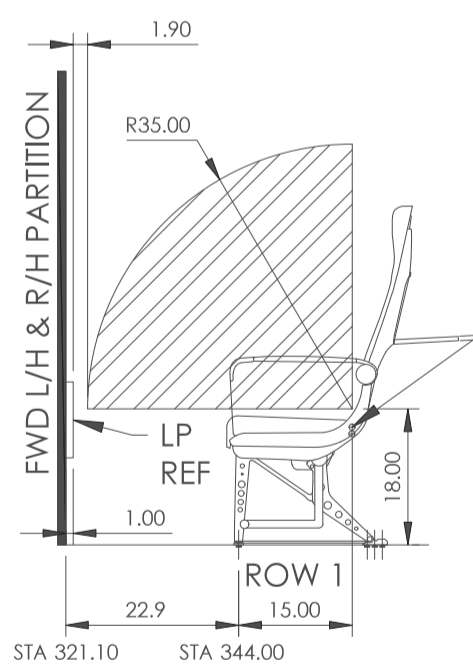
DRAWING NUMBER:
SQP252JCAERO3229

C12 C14 C16 C18 C20 C21 C23 C24 C25 C26 C27 C28 C29 C30 C31 C32 C33 C34 C35 C35.1 C35.3 C35.5 C35.7 C35.8 C36 C37 C38 C39 C40 C41 C42 C43 C44 C45 C46 C47 C47.1 C47.2 C47.3 C47.4 C47.5 C48 C49 C50 C51 C52 C53 C54 C55 C56 C57 C58 C59 C60 C61 C62 C63 C64 C65 C66 C67 C68 C69 C70 C71

FWD TYPE C DOOR STA 299.17
MID TYPE C DOOR STA 645.06
MID TYPE C DOOR STA 1076.03
AFT TYPE C DOOR STA 1535.75

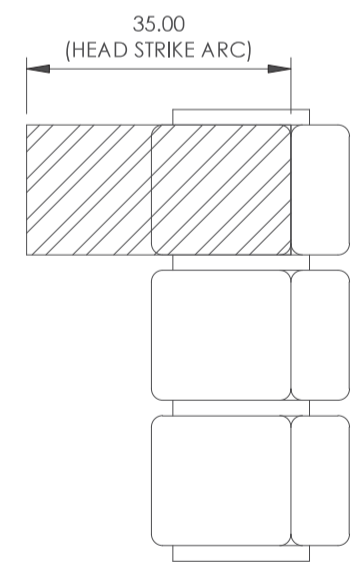


59PAX 83PAX 78PAX
-101 INSTALLATION

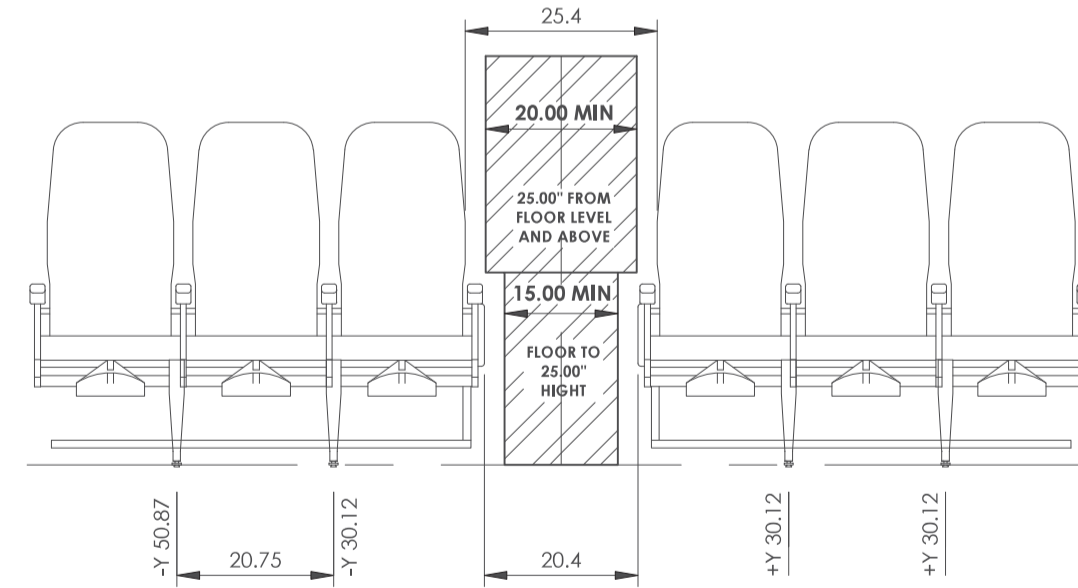


MINIMUM REQUIRED BULKHEAD CLEARANCE
35.00
(MEASURED FROM CUSHION REFERENCE POINT)

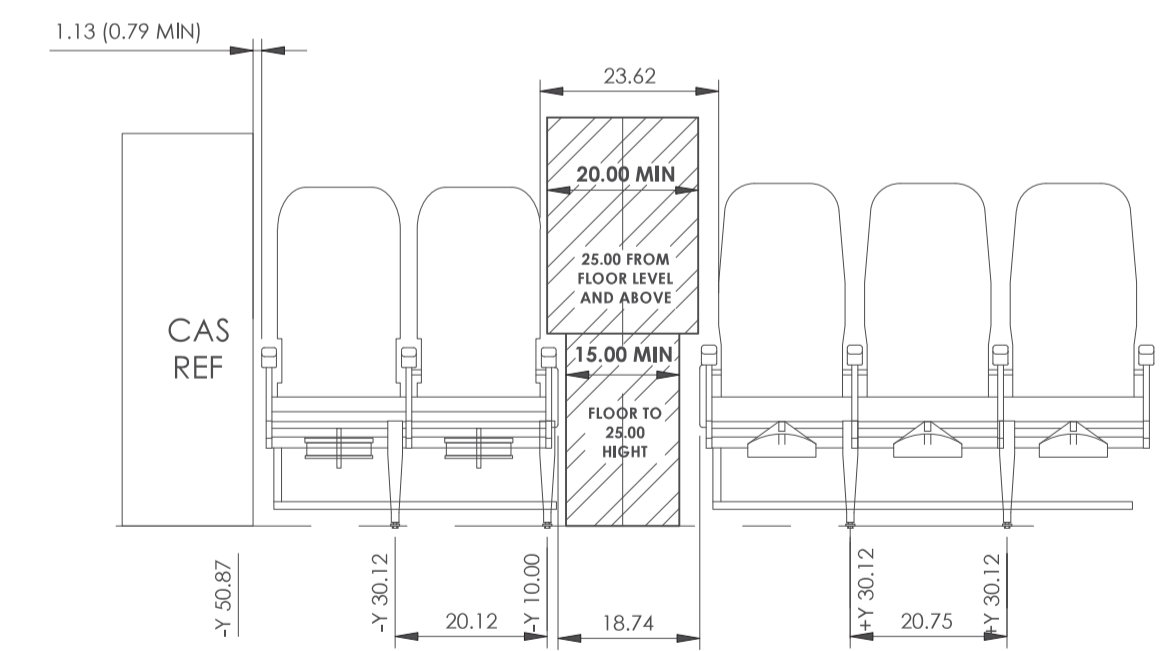
DETAIL C
SEAT TO BULKHEAD CLEARANCE
R/H SHOWN (L/H SYMMETRICAL)



TYPICAL HEAD STRIKE ZONE
(AT EACH PAX PLACE - AFT OF
BULKHEADS OR FIXED STRUCTURE)



SECTION A-A - WIDTH OF AISLE
IAW JAR 25.815 - EXAMPLE SHOWN AT CONSTANT SECTION
(RECARO 3510H TYPE 530 SERIES SEATS)



SECTION B-B - WIDTH OF AISLE
IAW JAR 25.815 - EXAMPLE SHOWN AT CONSTANT SECTION
(R/H: RECARO 3510H TYPE 989 SERIES SEATS
L/H: RECARO 3510H TYPE 530 SERIES SEATS)

	WWW.THISBDOA.EU INFO@THISBDOA.EU PHONE: +353 1 529768	AIRCRAFT: AIRBUS A321-211	MANUFACTURING TOLERANCES: SHEET WORK 30.30 MACHINING 40.20 ANGULAR 40.50 (UNLESS OTHERWISE SPECIFIED)	DRAWN BY: SEE JCAERO/ECN/3229
	MSN: 01503	REGISTRATION: -	SCALE: NTS SIZE: A2	CHECKED BY: SEE JCAERO/ECN/3229
	TITLE: 220 PAX [220Y] LAYOUT OF PASSENGER ACCOMODATION			
DRAWING NUMBER: SQP252JCAERO3229			SHEET 2 OF 4	REV. A

© J&C AERO EEU LTD. OWN THE COPYRIGHT OF THIS DRAWING AND SHALL NOT BE REPRODUCED BY ANY OTHER WITHOUT THE PRIOR WRITTEN PERMISSION

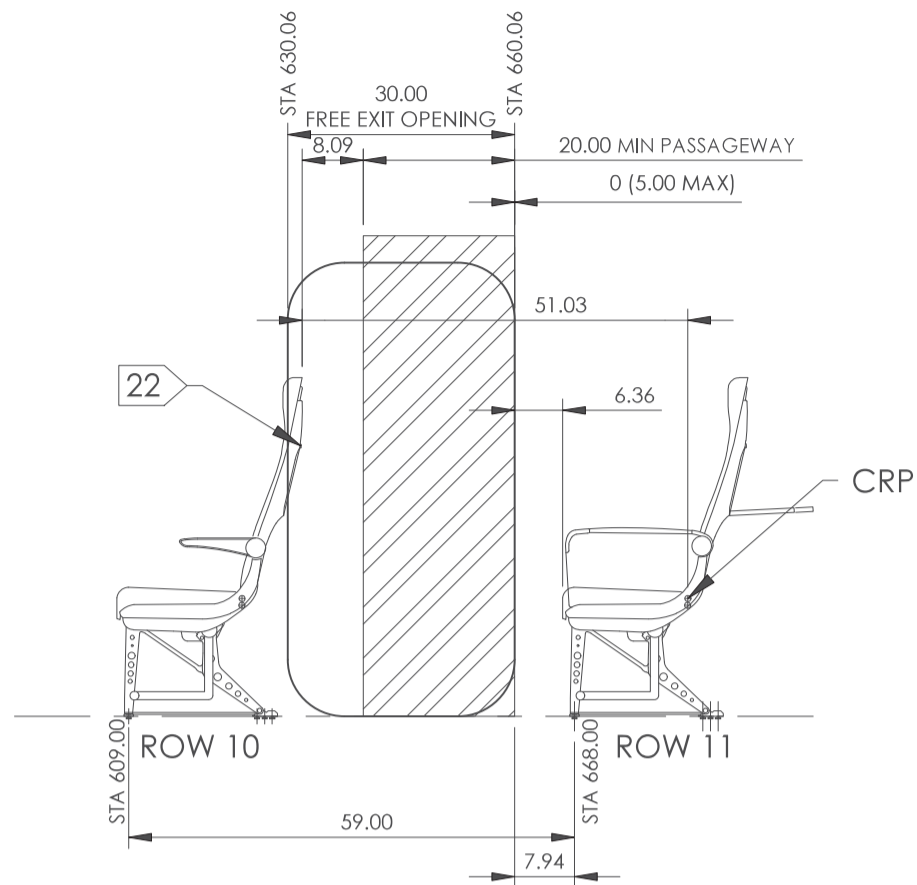
A

B

C

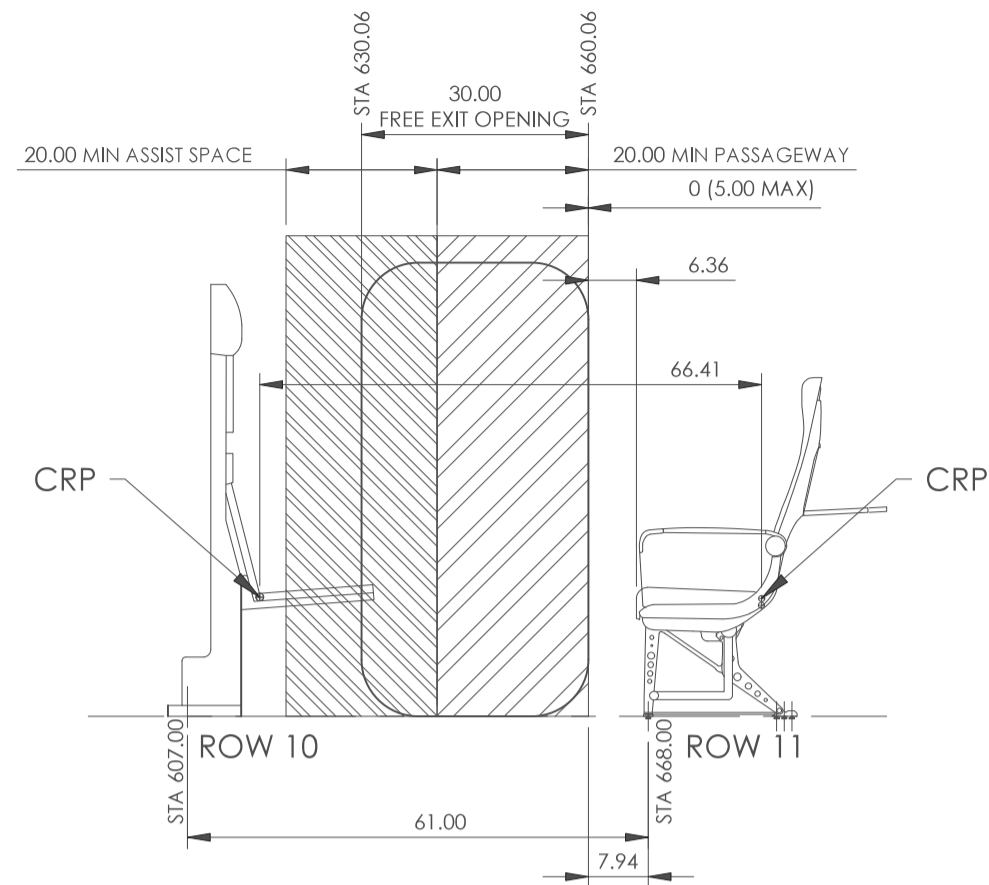
D

E



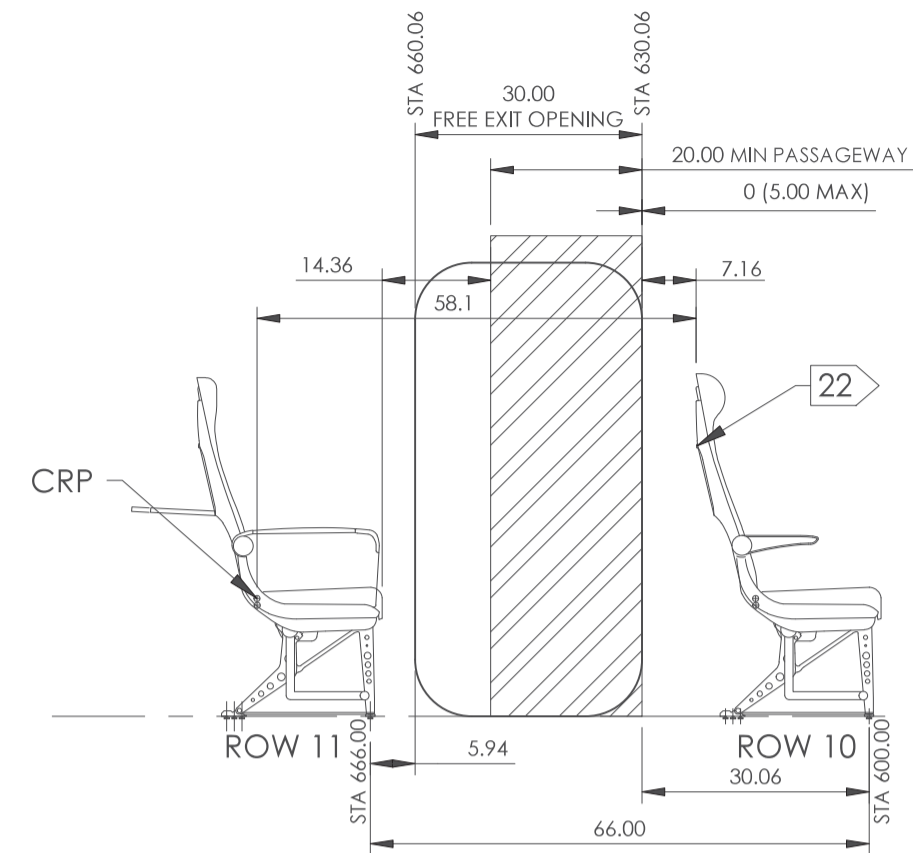
DETAIL D

R/H DOOR 2 EXIT PASSAGEWAY (INBOARD)
IAW JAR 25.813 & AIRBUS FRAME SPECIFICATION NO.
2521 M1F 1000 00



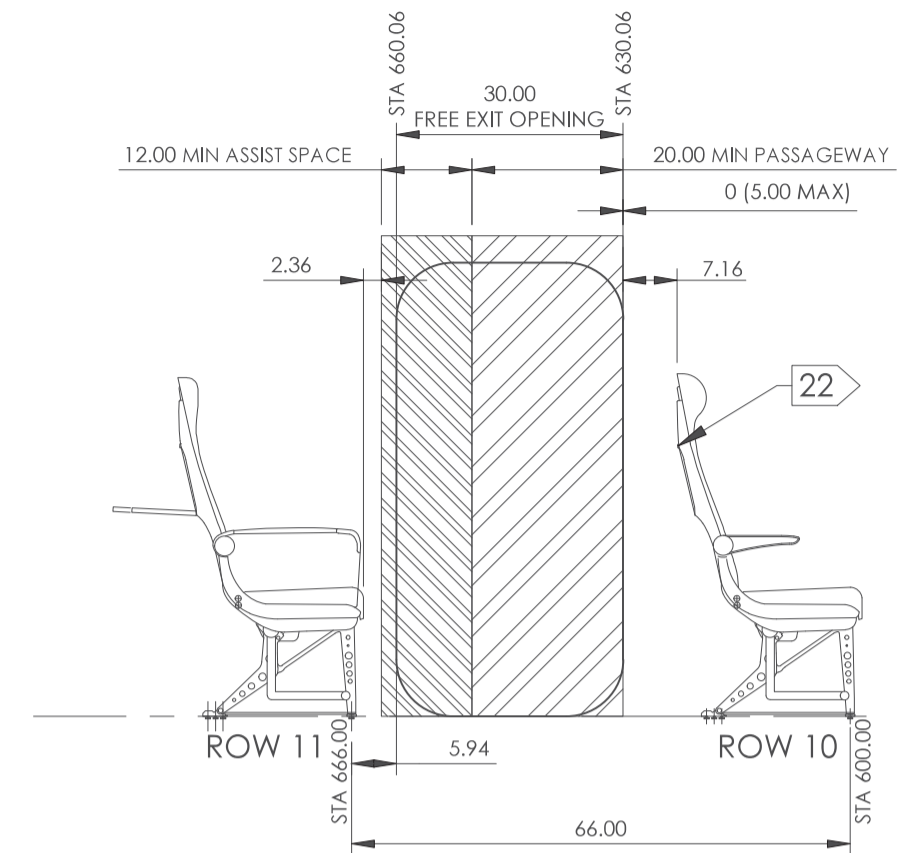
DETAIL D

R/H DOOR 2 EXIT PASSAGEWAY (OUTBOARD)
IAW JAR 25.813 & AIRBUS FRAME SPECIFICATION NO.
2521 M1F 1000 00



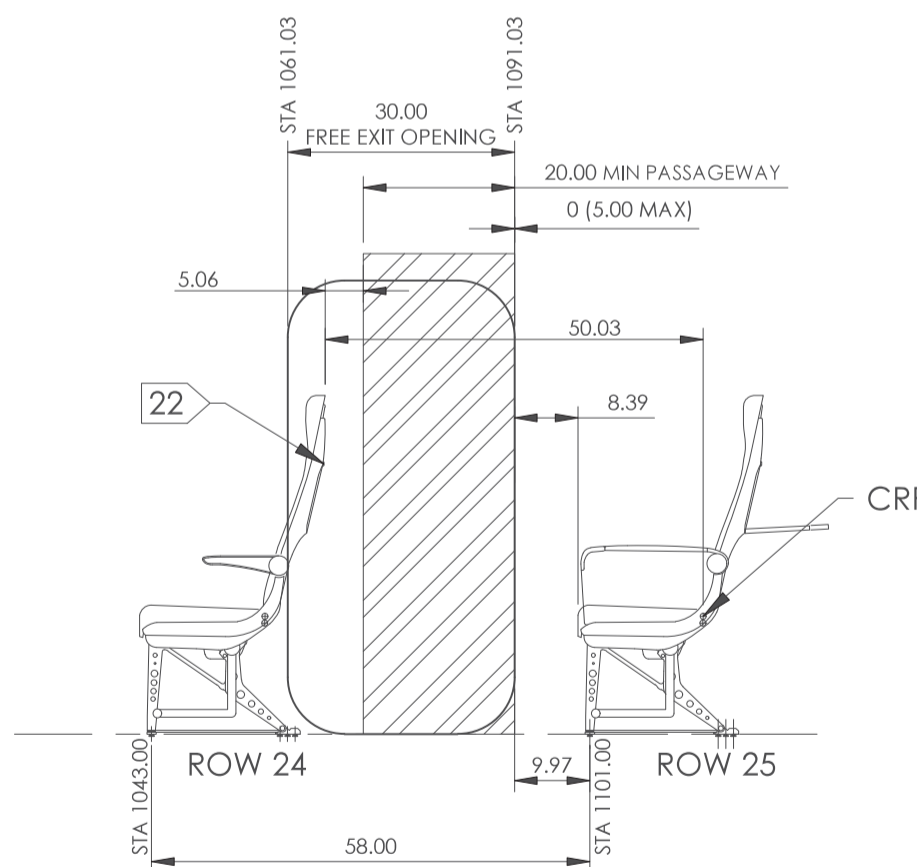
DETAIL E

L/H DOOR 2 EXIT PASSAGEWAY (INBOARD)
IAW JAR 25.813 & AIRBUS FRAME SPECIFICATION NO.
2521 M1F 1000 00



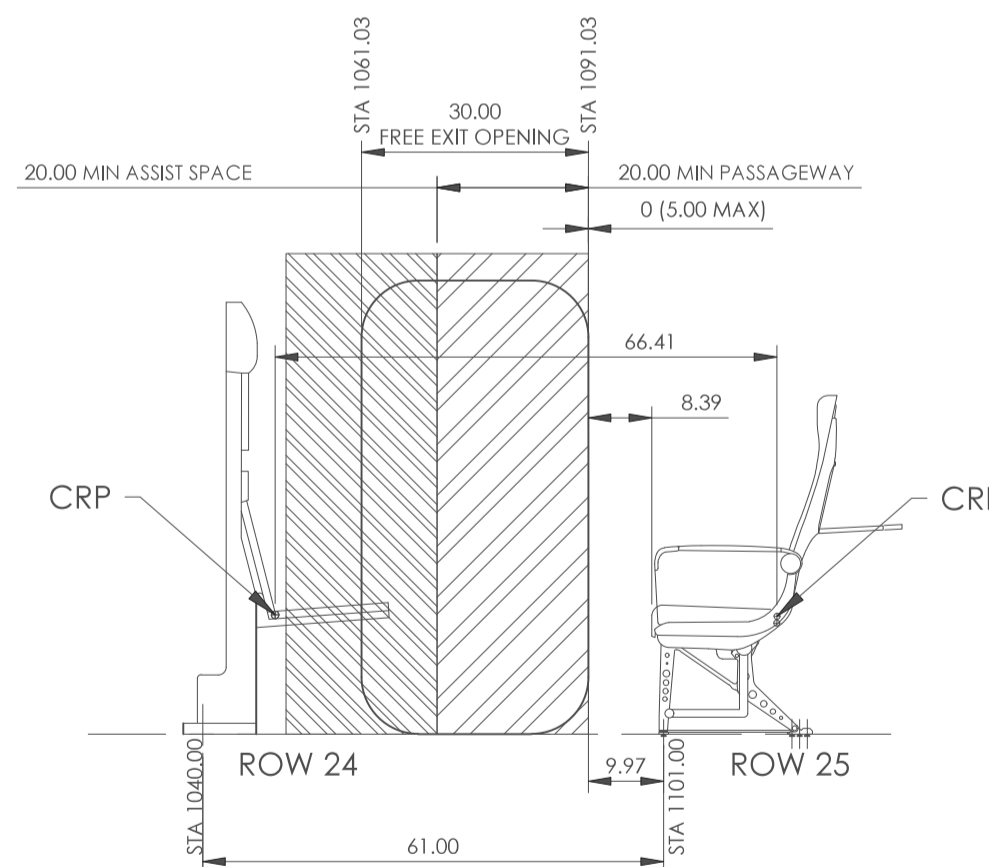
DETAIL E

L/H DOOR 2 EXIT PASSAGEWAY (OUTBOARD)
IAW JAR 25.813 & AIRBUS FRAME SPECIFICATION NO.
2521 M1F 1000 00



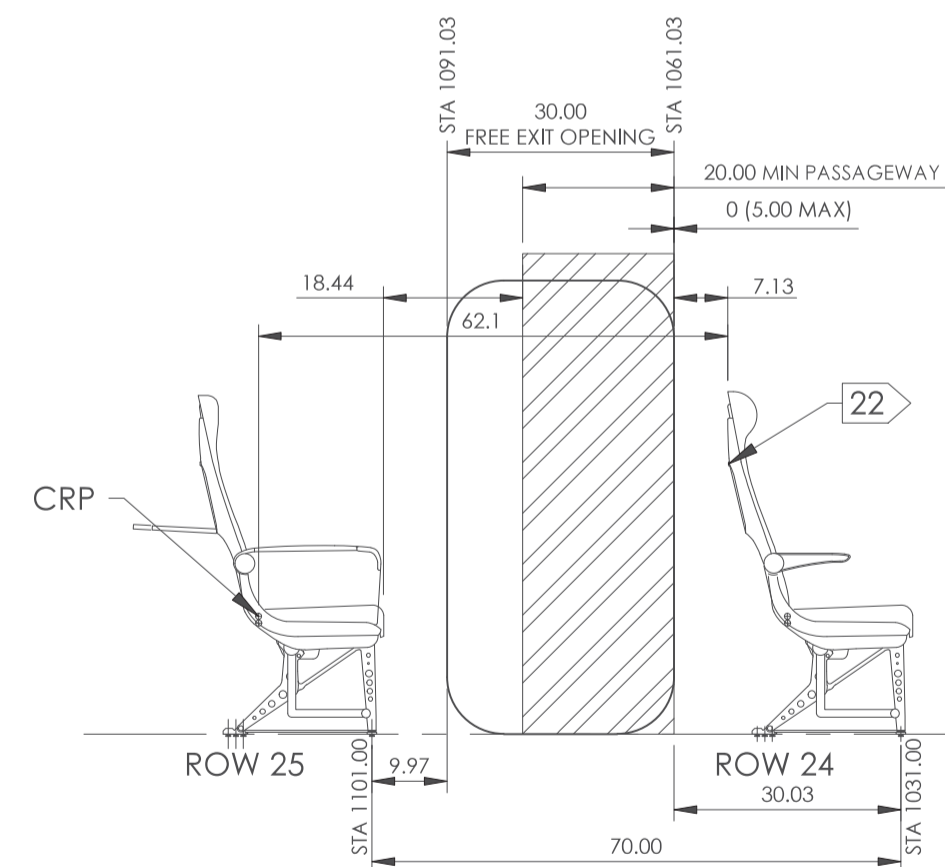
DETAIL F

R/H DOOR 3 EXIT PASSAGEWAY (INBOARD)
IAW JAR 25.813 & AIRBUS FRAME SPECIFICATION NO.
2521 M1F 1000 00



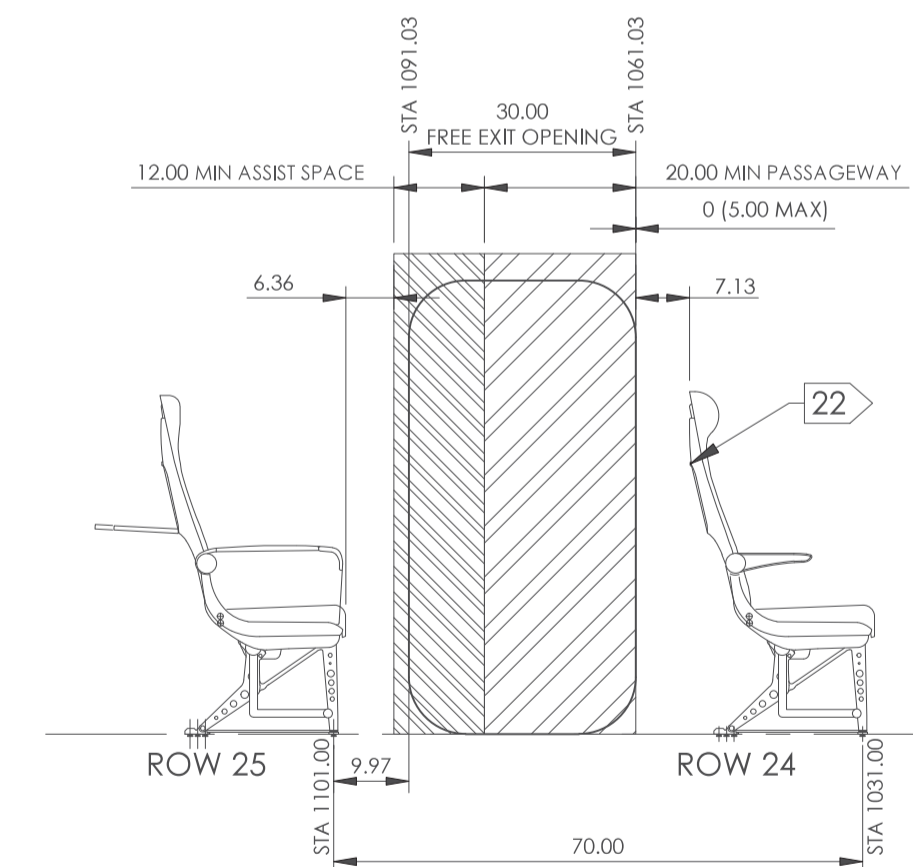
DETAIL F

R/H DOOR 3 EXIT PASSAGEWAY (OUTBOARD)
IAW JAR 25.813 & AIRBUS FRAME SPECIFICATION NO.
2521 M1F 1000 00



DETAIL G

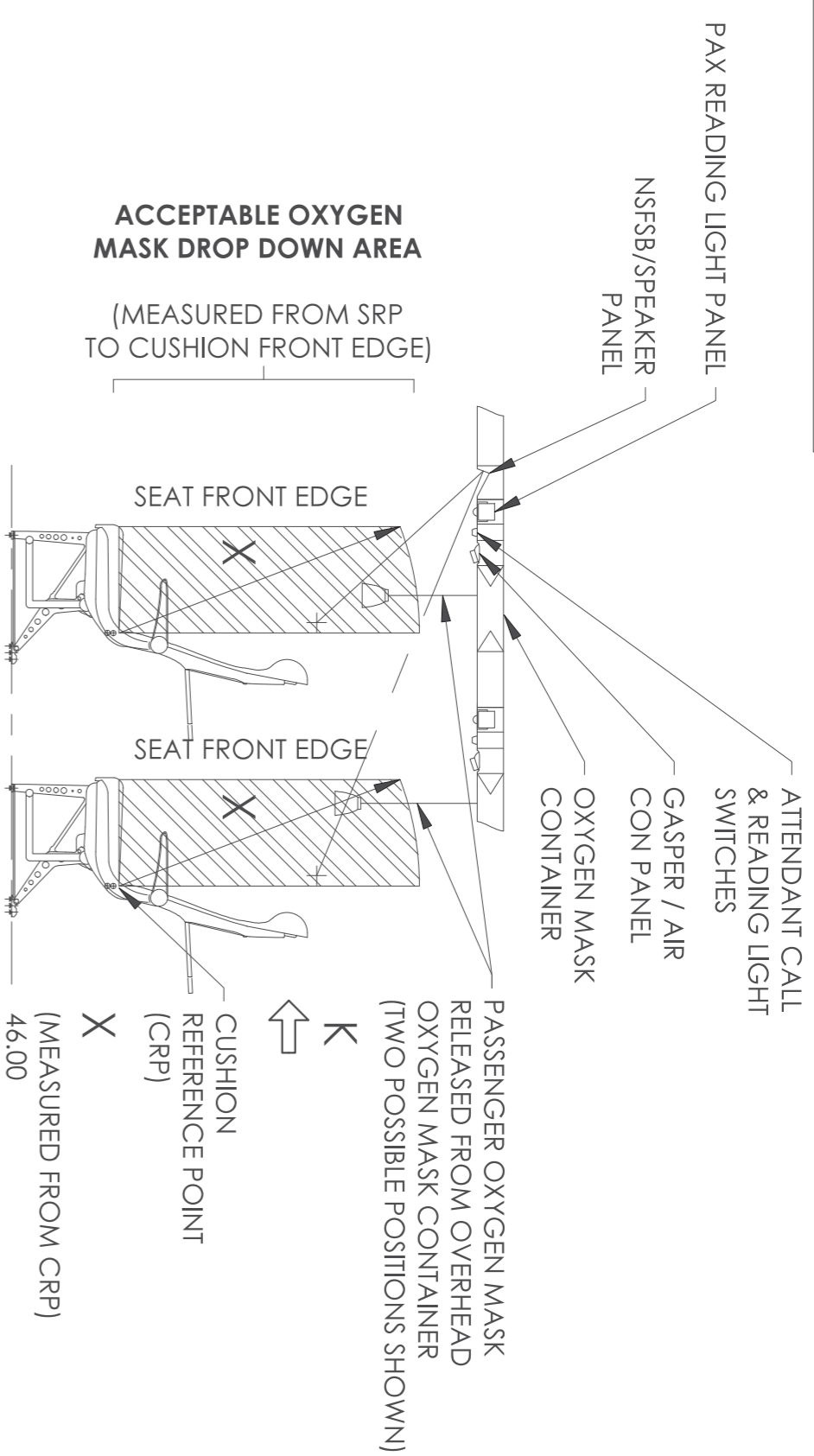
L/H DOOR 3 EXIT PASSAGEWAY (INBOARD)
IAW JAR 25.813 & AIRBUS FRAME SPECIFICATION NO.
2521 M1F 1000 00



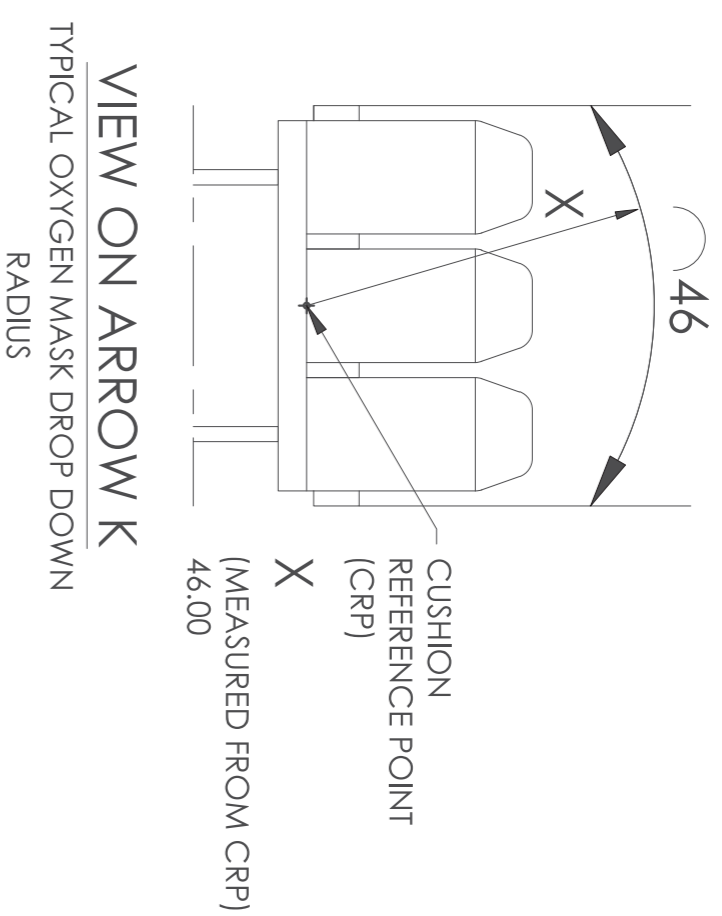
DETAIL G

L/H DOOR 3 EXIT PASSAGEWAY (OUTBOARD)
IAW JAR 25.813 & AIRBUS FRAME SPECIFICATION NO.
2521 M1F 1000 00

	WWW.THISBDOA.EU INFO@THISBDOA.EU PHONE: +353 1 249768	AIRCRAFT: AIRBUS A321-211	MANUFACTURING TOLERANCES: SHEET WORK 40.30 MACHINING 40.20 ANGULAR 40.50 (UNLESS OTHERWISE SPECIFIED)	DRAWN BY: SEE JCAERO/ECN/3227
	MSN: 01503	REGISTRATION: -	SCALE: NTS SIZE: A2	ALL DIMENSIONS ARE IN INCHES THIRD ANGLE PROJECTION CHECKED BY: SEE JCAERO/ECN/3227
	TITLE: 220 PAX [220Y] LAYOUT OF PASSENGER ACCOMODATION			
	DRAWING NUMBER: SQP252JCAERO3229			SHEET 3 OF 4 REV. A

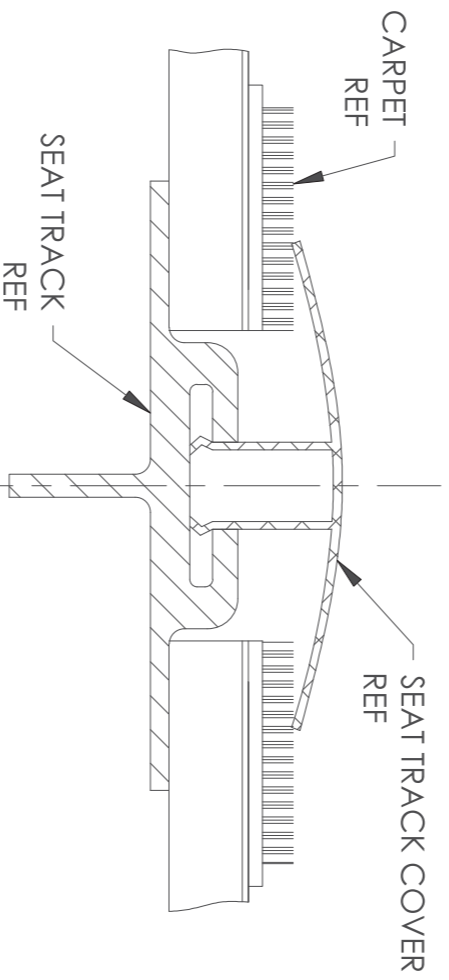
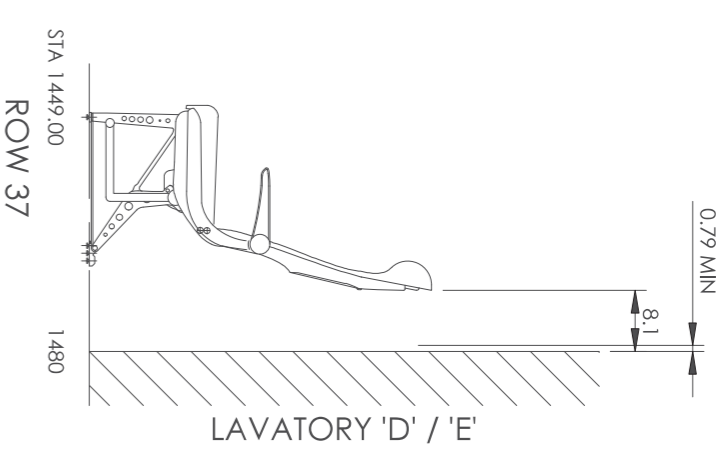


DETAIL J
TYPICAL PSU/PSIU ARRANGEMENT

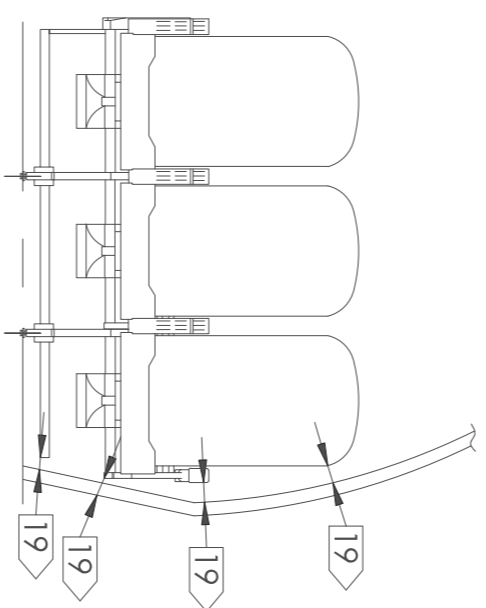


VIEW ON ARROW K
TYPICAL OXYGEN MASK DROP DOWN RADIUS

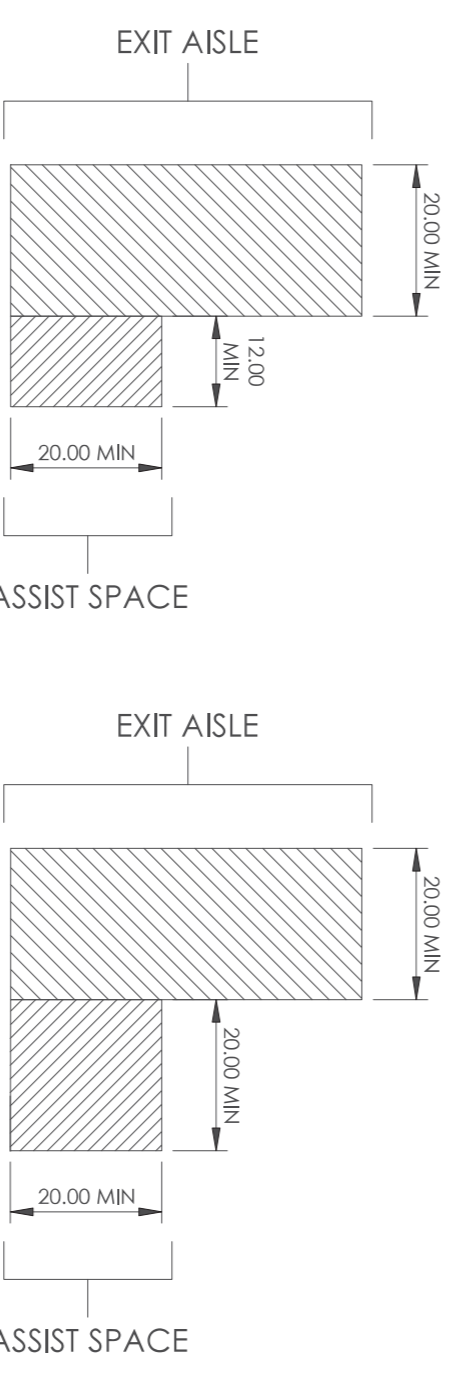
DETAIL H
SEAT BACKREST CLEARANCE - LAST R/H - L/H ROW
LAW AIRBUS FRAME SPECIFICATION
NO. 2521 M1F 1000 00



TYPICAL SEAT TRACK COVER INSTALLATION
RACEWAY NOT SHOWN

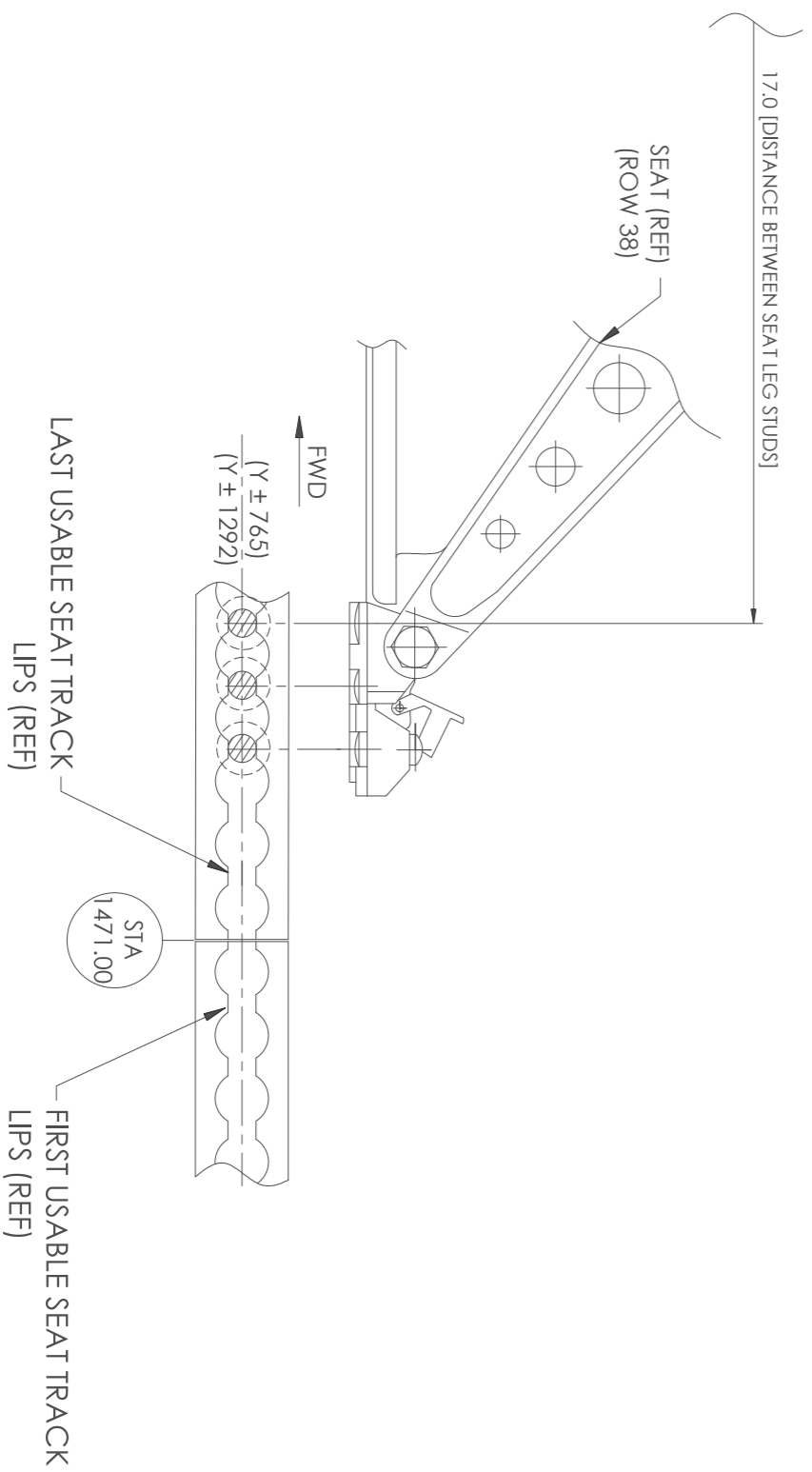


MINIMUM CLEARANCE FROM THE SIDEWALL

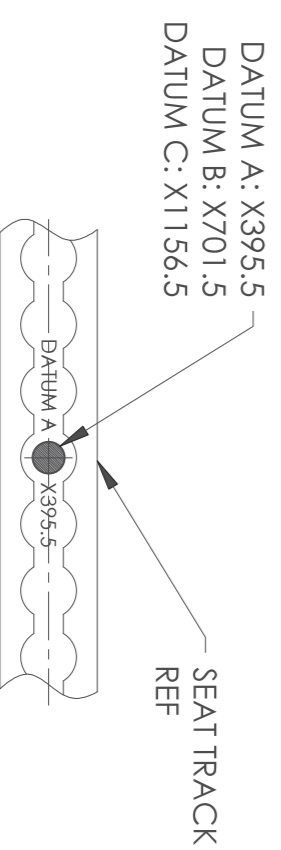


TYPICAL TYPE I, TYPE C DOOR EXIT AISLE & ASSIST SPACE

LAW JAR 25.813 EMERGENCY EXIT ACCESS AND EASE OF OPERATION
& AIRBUS FRAME SPECIFICATION NO. 2521 M1F 1000 00



DETAIL M
SEAT TRACK BREAK DETAIL AND BACK STRUT INSTALLATION
AT STA 1471.00 (C64)



DETAIL L
DATUM A

		MANUFACTURING TOLERANCES: DIMENSIONS: 0.25 (UNLESS OTHERWISE SPECIFIED) ANGULAR: 0.50 ALL DIMENSIONS UNLESS OTHERWISE SPECIFIED HOLE POSITION: SEE JCAERO/ECN/3227 PROJECTION: SEE JCAERO/ECN/3227	
WWW.HIERO.AE INFO@HIERO.AE PHONE: +33 2 8297 86	AIRCRAFT: AIRBUS A321-211	DRAWN BY: SEE JCAERO/ECN/3227	DRAWING NUMBER: SQP252JCAERO3229
MSN: 01503	REGISTRATION: -	SCALE: A2	SHEET 4 OF 4
TITLE: 220 PAX [220Y] LAYOUT OF PASSENGER ACCOMMODATION			REV. A